

# VTECH™

## Stainless Steel Condensing Water Heater

**Durability** Advances in manufacturing has allowed us to build the VTech using an all stainless steel construction, making it impervious to corrosion

**Safety** Multiple layers of advanced controls will provide peace of mind and protect your investment

**Reliability** Advanced combustion and control systems have simplified the operation of this state of the art water heater

**Sustainability** Engineered to perform at the highest levels of efficiency using modern condensing technology with the lowest emissions in the industry



## Main Features

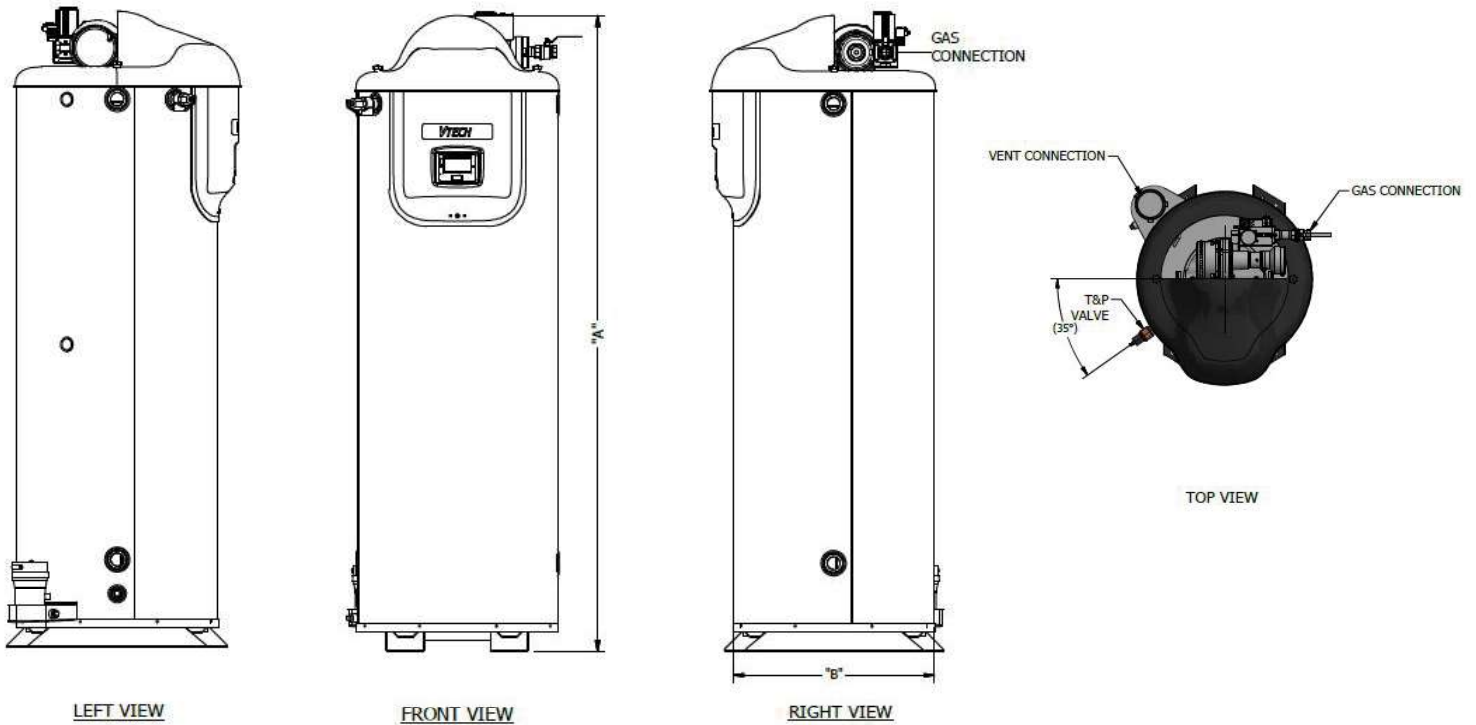
- Efficiencies of up to 95%
- Fully modulating with a 5:1 turndown
- Low NOx emissions, SCAQMD compliant
- Integrated digital operating control
- 160 PSIG M.A.W.P. stainless steel storage tank
- All stainless steel water surfaces
- Extremely low noise level of operation
- Available in natural gas or propane

## Integrated digital operating control system

- Easy to read backlit LCD display
- Alarm and fault history
- Multi-user secure access
- Field or remote temperature adjustment

## Additional Features

- Left or right side water connections
- Air switch and blocked flue switch
- Stack temperature limit
- Proven hot surface ignition
- Neutralizer kit
- Integrated UL353 approved fail safe manual reset high limit @ 195°F
- 150 PSI temperature & pressure relief valve
- Thru wall exhaust vent (vertical or horizontal) with 3 intake options
  1. Outside air direct venting
  2. Outside air
  3. Indoor air
- PVC/CPVC/Stainless Steel/PPE Category II & IV vent options



## Dimensions

Model	"A"	"B"
VT-80	53"	27"
VT-100	53"	27"
VT-120	66"	27"
VT-150	66"	27"
VT-199	76"	27"
VT-250	76"	27"
VT-299	76"	27"
VT-399	76"	27"
VT-499	85 3/4"	27"

## Recovery Capacities (GPH) (Continuous)

Model	140°F Rise	120°F Rise	100°F Rise	80°F Rise	60°F Rise	40°F Rise
VT-80	65	76	91	114	152	228
VT-100	81	95	114	142	190	285
VT-120	102	119	142	178	237	356
VT-150	122	142	171	214	285	427
VT-199	162	189	227	283	378	567
VT-250	203	237	285	356	475	712
VT-299	243	284	341	426	568	851
VT-399	325	379	454	568	757	1136
VT-499	406	474	568	711	947	1421

## Tank Capacity

Model	US Gallons
VT-80	60
VT-100	60
VT-120	80
VT-150	80
VT-199	100
VT-250	100
VT-299	100
VT-399	100
VT-499	115

## Input/Output BTU/hr

Model	Max Input	Max Output
VT-80	80,000	76,000
VT-100	100,000	95,000
VT-120	125,000	118,750
VT-150	150,000	142,500
VT-199	199,000	189,050
VT-250	250,000	237,500
VT-299	299,000	284,050
VT-399	399,000	379,050
VT-499	499,000	474,050